

**INSTRUCTIONS FOR DOWNLOADING AND SUBMITTING AN EXCEL® PRICE SCHEDULE ONLY
WHEN RESPONDING TO A SWIFT EVENT**

STEP

- 1 A Price Schedule in Excel® (.xls) is attached to the "Line Details" of the Event. You must "download" and save the Excel Price Schedule to your desktop before you can begin filling in your offer and complete the Price Schedule. You must "upload/attach" the completed Price Schedule where directed in the Line Details section of the Event.
- 2 Responses will only be accepted on the Price Schedule included with the Event in Microsoft Excel® 97-2003 Workbook (.xls), or Microsoft Excel®2010 Workbook (.xlsx). **The State reserves the right to reject any Price Schedule not submitted in .xls or .xlsx format.**
- 3 When you have completed your entire response, you must 'upload/attach' the completed Price Schedule and select the 'I HAVE ATTACHED MY PRICE SCHEDULE' check box where directed in the Line Details section of the Event. **DO NOT SELECT 'I DECLINE TO BID ON THIS LINE'**. Selecting this box may cause your response to be rejected.
- 4 If you're having trouble submitting or attaching your Price Schedule, call the Help Desk at 651-201-8100 - Option No.1

SUBMIT PRICES USING THE PRICE SCHEDULE PROVIDED WITH THE EVENT

The Price Schedule must be returned in the Excel® format.

"DO NOT" SUBMIT EXCEL PRICE SCHEDULES AS PDF FILES.

The State reserves the right to reject responses if the Excel Price Sheets are submitted as PDF files or any other format not supported by SWIFT.

EXHIBIT D
AFTERMARKET TRACTOR, COMPACT LOADER,
WHEEL LOADER ATTACHMENTS
Discount Off List Pricing Info
Specification 3.0

Vendor Name:	Edney Distributing Co., Inc.
Contact Person:	Dave Mosier
Street Address:	8485 215 St W
P.O. Box:	1236
City, State, Zip	Lakeville, MN 55044
Phone #:	952-469-5267
Toll Free #:	888-443-3639
Email Address:	sales@edneyco.com

<u>SPEC NUMBER</u>	<u>INFORMATION REQUESTED</u>	<u>ANSWER</u>
8.1	<u>MANUFACTURER:</u>	Danuser
8.2	<u>ATTACHMENT DESCRIPTION:</u>	Tree & Post Puller
8.3	<u>PERCENT DISCOUNT (%) TO BE APPLIED TO LIST:</u>	5%
8.4	<u>DATE AND/OR I.D. OF PRICE LIST:</u>	Danuser_Intimidator_Pri ceSheet-2020.pdf
8.5	<u>STANDARD WARRANTY TERM</u> (Months/Years):	1 Year
8.6	<u>DELIVERY CHARGES: (NO FLAT RATE ALLOWED)</u>	
8.6.1	<u>DELIVERY STARTING POINT:</u> (City) (State, Zip Code)	Lakeville Minnesota, 55044
8.6.2	<u>PRICE PER LOADED MILE:</u>	\$1.00
8.6.3	<u>MINIMUM DELIVERY CHARGE:</u>	\$
8.7	<u>INSTALLATION SERVICES - \$ PER HOUR</u> (Shop Rate): Installation services may be requested on an "as needed" basis.	\$90

SWIFT EVENT TITLE: AFTERMARKET TRACTOR/SKIDSTEER ATTACHMENTS, T-632(5) Event ID: G0210-2000010716

** Following is a list of all distributors that are authorized to sell the equipment listed above.

** The Swift Vendor Number (SWIFT ID) must be complete, including the vendor Swift ID and Location Code (LOC CODE).

** All distributors MUST provide the required insurance certificates to the State as outline in the Swift Event Special Terms and Conditions before any State Contract may be executed.

COMPANY NAME	SWIFT ID	LOC CODE	COMPANY ADDRESS	CITY	ST /ZIP	PHONE	CONTACT NAME
Edney Distributing Co., Inc.	0000215024	003	8485 215th St W/Lakeville	Lakeville	MN/55044	952-469-5267	Mike Peters
Adkins Equipment, Inc.	0000208093	001	18323 Cty Hwy 21/Detroit Lakes	Detroit Lakes	MN/56501	218-847-4587	Jeff Adkins
Ironhide Equipment	0000257536	001	3516 Irvine Ave NW	Bemidji	MN/56601	218-751-4660	Brian Spletstoeszer
Bobcat of Duluth	0000236269	002	4610 W Arrowhead Rd/Duluth	Duluth	MN/55811	218-727-7377	Dan Linde
Butler Machinery	0000204147	001	3401 33rd St S/Fargo	Fargo	ND/58104	701-298-1749	Troy DeWite
Jaycox Implement	0000194422	001	410 West Roehn/Luverne	Luverne	MN/56156	507-283-2319	Mark Ommen
J & S Repair	0000975133	001	505 2nd St NE	Grand Meadow	MN/55936	507-754-5233	Travis Warmka
Kesteloot Enterprises	0000295830	001	2517 Co. Rd 8/Marshall	Marshall	MN/56258	507-532-0100	Daren Kesteloot
Kibble Equipment	0000364257	001	1150 South Victory Dr/Mankato	Mankato	MN/56001	507-387-8201	Sean McGraw
Kibble Equipment	0000364257	004	61022 103rd St	Minnesota Lake	MN/56068	507-462-3828	Sean McGraw
Kibble Equipment	0000364257	008	1201 Main E	Sleepy Eye	MN/56085	507-794-5381	Rod Schumacher
Kibble Equipment	0000364257	009	3099 Highway 7 SW	Montevideo	MN/56068	800-269-2088	Corey Eischens
Kibble Equipment	0000364257	010	150 Highway 68	Wabasso	MN/56293	507-342-5171	Pat Eichten
Kibble Equipment	0000364257	011	1381 Highway Ave W	Bird Island	MN/55310	320-365-3445	Matt Kramer
Kibble Equipment	0000364257	012	36648 US Hwy 71	Redwood Falls	MN/56283	507-644-3571	Pat Eichten
Kibble Equipment	0000364257	013	107 Faribault Dr	Blue Earth	MN/56013	507-526-2714	Chadd Hollerich
Kibble Equipment	0000364257	014	1100 N US Highway 59	Marshall	MN/56258	507-537-1523	Travis Przybilla
Kibble Equipment	0000364257	015	3555 SW 18th ST	Owatonna	MN/55060	507-451-4054	Brock Veldman
Kibble Equipment	0000364257	016	500 Highway 14W	Tyler	MN/56178	507-247-5572	Jeff Schulte
Kibble Equipment	0000364257	017	15058 SD Hwy 15	Milbank	SD/57252	605-432-5523	Ryan Hanson
Kibble Equipment	0000364257	018	609 Highway 75 N	Wheaton	MN/56296	320-563-8112	Mark Moxness
Lano Equipment	0000213525	001	1015 Hwy 212 W/Norwood	Norwood	MN/55368	952-467-2181	Jack Lano
Lano Equipment	0000193199	003	6140 Hwy 10/Anoka	Anoka	MN/55303	763-307-2811	Scott Fahey
Melrose Implement	0000802356	001	Hwy 13 South/Melrose	Melrose	MN/56352	320-256-4253	Kris Middendorf
Mid-Central Equipment	0000232112	001	50106 US Hwy 210 W/Henning	Henning	MN/56551	218-583-4124	Nathan Thalman
Miller-Sellner Implement, Inc.	0000198622	001	22024 State Hwy 4/Sleepy Eye	Sleepy Eye	MN/56085	507-794-2131	Doug Miller
Minnesota Equipment	0000197372	001	13725 Main St/Rogers	Rogers	MN/55374	763-428-4107	Dan Scharber
Nelson Equipment	0000210256	001	17270 US 59/Thief River Falls	Thief River Falls	MN/56701	218-681-1997	Joel Nelson
Niebur Tractor & Equipment, Inc.	0000268650	001	14380 240th St E /Hastings	Hastings	MN/55033	651-437-3531	Dan Beissel
Northland Farm Systems	0000208304	001	3695 Hoffman Dr N/Owatonna	Owatonna	MN/55060	507-451-3131	John Losee
Olson Power and Equipment	0000197590	001	38560 14th Ave/North Branch	North Branch	MN/55056	651-674-4494	Dan Olson
RDO Equipment	0000199158	011	1254 S. Tower Rd/Fergus Falls	Fergus Falls	MN/56537	701-526-6665	Jason Hintermeister
RDO Equipment	0000199158	013	110 Michael St/Hawley	Hawley	MN/56549	701-526-6665	Jason Hintermeister
RDO Equipment	0000199158	010	2900 Main Ave SE/Moorhead	Moorhead	MN/56560	701-526-6665	Jason Hintermeister
SEMA Equipment, Inc.	0000197244	001	11906 Hwy 14 E	St. Charles	MN/55972	507-259-2240	Doug Erickson
Plainview Equipment	0000197244	002	RR1 Box 221A	Plainview	MN/55964-9775	507-259-2240	Doug Erickson
SEMA Equipment, Inc.	0000197244	003	1013 S Section Ave	Spring Valley	MN/55975-0106	507-259-2240	Doug Erickson
SEMA Equipment, Inc.	0000197244	004	55083 County RD 4	Plainview	MN/55964	507-259-2240	Doug Erickson
SEMA Equipment, Inc.	0000197244	005	2001 4th St NW	Austin	MN/55912	507-259-2240	Doug Erickson
SEMA Equipment, Inc.	0000197244	006	11555 Hwy 60 Blvd	Wanamingo	MN/55983	507-259-2240	Doug Erickson
SEMA Equipment, Inc.	0000197244	007	610 W Main St	Le Roy	MN/55951	507-259-2240	Doug Erickson
SEMA Equipment, Inc.	0000197244	008	32980 Northfield Blvd	Northfield	MN/55075	507-259-2240	Doug Erickson
SEMA Equipment, Inc.	0000197244	009	201 N Hwy 44/76	Caledonia	MN/55921	507-259-2240	Doug Erickson
Smiths Mill Implement, Inc.	0000197059	001	63065 206th St/Janesville	Janesville	MN/56048	507-234-5191	Rick Eichhorst
Titan Machinery	0000251892	015	6340 Hwy 101/Shakopee	Shakopee	MN/55379	952-445-5400	Brenden Honebrink
Titan Machinery	0000251892	004	315 Hwy 28 E/Graceville	Graceville	MN/56240	952-445-5400	Brenden Honebrink
Titan Machinery	0000251892	010	500 Ingersoll Ave/Crookston	Crookston	MN/56716	952-445-5400	Brenden Honebrink
Titan Machinery	0000251892	023	2491 St Hwy 200/Ada	Ada	MN/56510	952-445-5400	Brenden Honebrink
Titan Machinery	0000251892	011	17108 US Hwy 59 NE/Thief River Falls	Thief River Falls	MN/56701	952-445-5400	Brenden Honebrink
Titan Machinery	0000251892	012	207 South Borud St/Winger	Winger	MN/56592	952-445-5400	Brenden Honebrink
Tjosvold Equipment	0000202238	001	5352 285th Ave/Granite Falls	Granite Falls	MN/56241	320-564-2331	Jon Tjosvold
Truman Welters Tractor and Equipment	0000193702	001	1600 Hwy 55 E/Bufalo	Bufalo	MN/55313	763-682-2200	Seth Strehler
Wabasha Implement	0000212699	001	840 N Wabasha/Plainview	Plainview	MN/55964	507-534-2004	Jack Decker

Dig out rocks

INTIMIDATOR PRICE SHEET

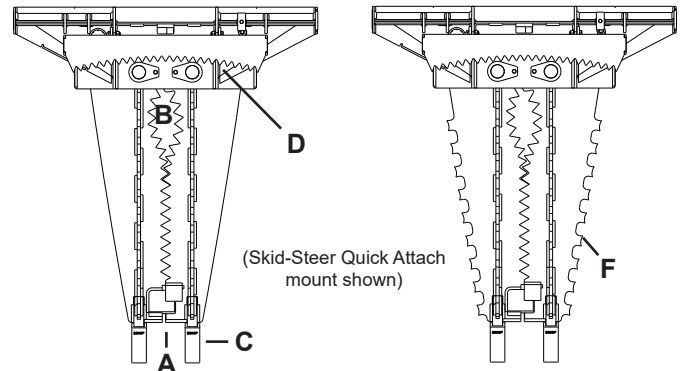
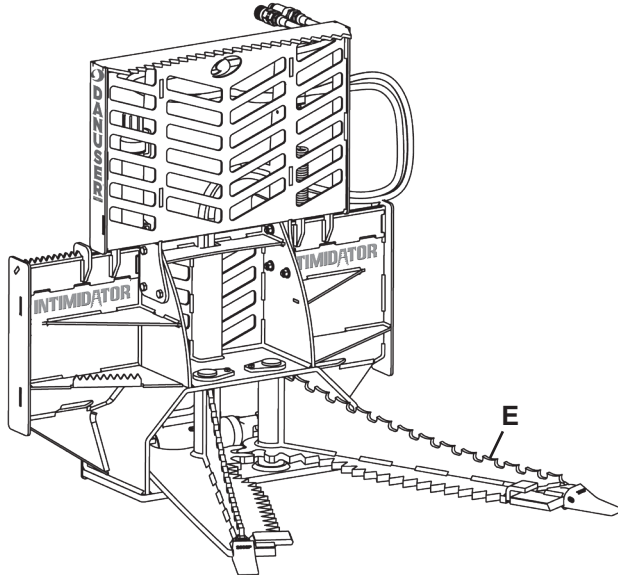
Pull posts/trees

Clamp & carry various items

1-Year Warranty

Cut/saw tree roots & remove stumps

⚠ WARNING This product can expose you to chemicals known to the State of California to cause cancer and birth defects or other reproductive harm. For more information go to www.P65Warnings.ca.gov/product.



- A. Interlocking jaws for digging & prying
- B. Tapered jaw opening maximizes pulling force on larger objects
- C. Excavator bucket teeth for digging & prying
- D. Teeth on brush guard reduce movement of objects
- E. Top bidirectional saw teeth to cut roots of large trees & stumps
- F. Side bidirectional saw teeth for cutting trees. Provides a more aggressive design (**models ending in "T" only**)

34" maximum jaw opening; maximum cylinder force of 21000 lbs.; synchronized interlocking jaws with excavator bucket teeth for digging, prying, and sawing; brush guard; and fully-protected 138" hydraulic hoses with 1/2" flush-face couplers (ISO 16028).

STANDARD PN	SIDE SAW TOOTH PN	DESCRIPTION	WT.	STANDARD PRICE	SIDE SAW TOOTH PRICE
12200	12200T	Intimidator Skid-Steer Quick Attach Mount	695	\$3,239.00	\$3,456.00
12200CSE	12200CSET	Intimidator Skid-Steer Quick Attach Mount Fits Case models 1835B, 1835C, & 1840	695	\$3,429.00	\$3,645.00
12201	12201T	Intimidator Euro/Global Quick Attach Mount	755	\$3,407.00	\$3,624.00
12200F	12200FT	Intimidator Flat Back For custom fabrication to fit other mount styles	786	\$3,591.00	\$3,807.00

FRONT-END LOADER HOSE KIT

PN	DESCRIPTION	WT.	PRICE
196056	Front-End Loader Hose Kit 1/2" hoses, 25' long, with 1/2" flush-face couplers (ISO 16028) on one end to connect to Intimidator hoses, and ISO 7241 Series A couplers (compatible with ISO 5675 Pioneer couplers) on the opposite end to connect to tractor rear remotes. Includes bolt-on/weld-on mounting bracket.	35	\$375.00

REPAIR PARTS & SAFETY SIGNS

To find repair parts and safety signs, see Danuser's online Parts Catalog at parts.danuser.com.

The Parts Catalog includes all current attachment parts and decals in a user-friendly, accessible, and portable format.

Be sure to have model and serial number at hand to find the correct items.

F.O.B. FULTON, MISSOURI
Dollars are U.S. Dollars.