

LAYOUT HISTORY

THIS LAYOUT IS BASED ON A PRELIMINARY LAYOUT CONCEPT FOR TH 60 AT THE INTERSECTION OF CSAH 6.
 DISTRICT COMMENTS ON THIS LAYOUT, BASED ON A LAYOUT SUBMITTED ON 08-29-2018, HAVE ALSO BEEN INCORPORATED.

LEVEL 2 LAYOUT APPROVAL

Programmed Letting Date: DECEMBER 18
 ESTABLISHED: 2020
 Prepared By: [Signature] 2019
 Reviewed By: [Signature] 2019
 Reviewed By: [Signature] 08/22/2019
 Approved By: [Signature] 7/2/2019
 I HEREBY CERTIFY THAT THIS LAYOUT WAS PREPARED BY ME OR UNDER MY DIRECT SUPERVISION AND THAT I AM A DULY LICENSED PROFESSIONAL ENGINEER UNDER THE LAWS OF THE STATE OF MINNESOTA.
 NAME: [Signature] LIC. NO.: 51947 DATE: 8/22/2019

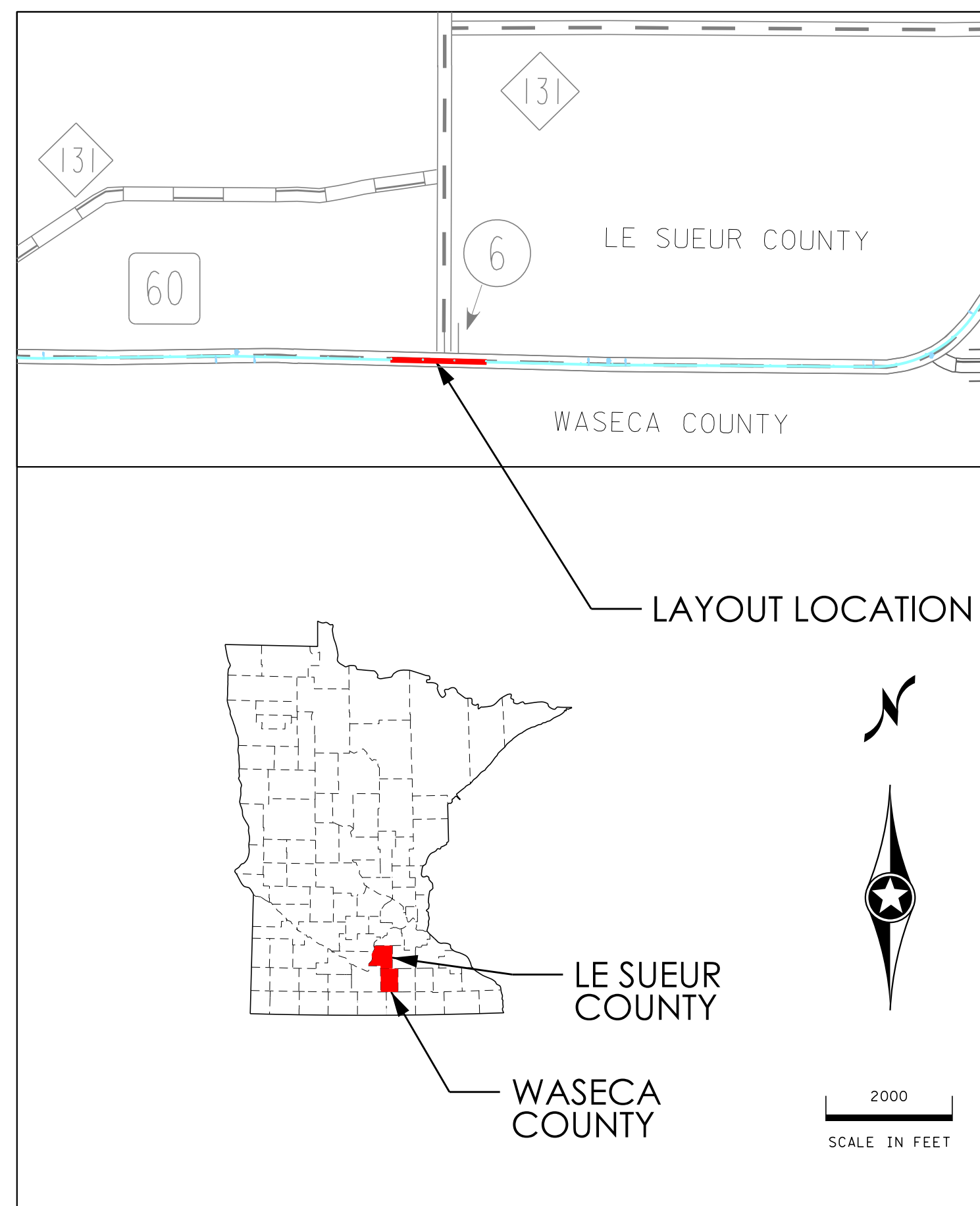
LAYOUT No. 1 COPY No. 1
 T.H. 60 VICINITY OF ELYSIAN
 FROM 950' WEST OF CSAH 6 TO 650' EAST
 OF CSAH 6
 By [Signature] The traffic volume shown on this map are tentative and subject to change without notice.
 Staff Approval Date: 2/21/2019
 S.P. 4006-35 T.H. 60 A.U. PPMS ACTIVITY
 S.P. T.H. A.U. PPMS ACTIVITY
 S.P. T.H. A.U. PPMS ACTIVITY
 Copy To: For:
 DESIGN FILE:
 DATE:

S.P. 4006-35
T.H. 60 LAKE CONNECTION PROJECT
PRELIMINARY LAYOUT
RIGHT TURN LANE
AT CSAH 6 BETWEEN
ELYSIAN & WATERVILLE, MN



01/15/2019

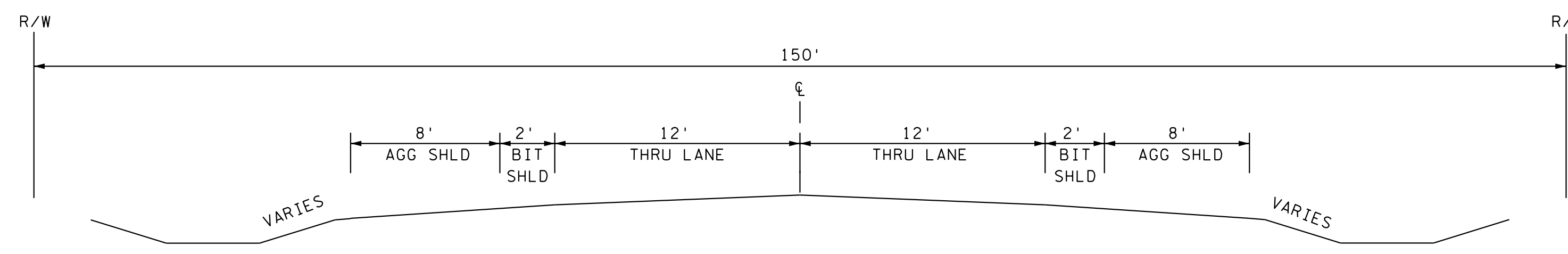
TH 60 ADT = 4,900



LAYOUT LEGEND

- PROPOSED ROADWAY
- BITUMINOUS SHOULDER
- AGGREGATE SHOULDER
- EXISTING RIGHT-OF-WAY
- CONSTRUCTION LIMITS

EXISTING TYPICAL SECTION



PROPOSED TYPICAL SECTION

