

DRAWN BY: FM

CHECKED BY: VAN

CERTIFIED BY

Victoria Nield
 LICENSED PROFESSIONAL ENGINEER

LIC. NO. 41667

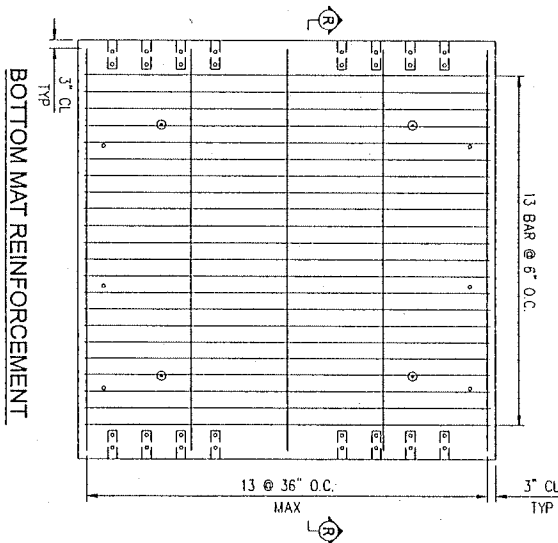
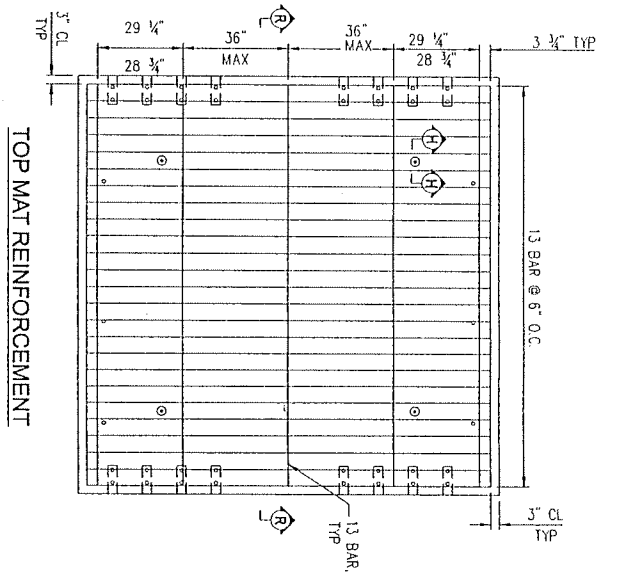
DATE 2-10-05

STATE PROJ. NO. 2775-12

(T.H. 62) SHEET NO. 23 OF 170 SHEETS

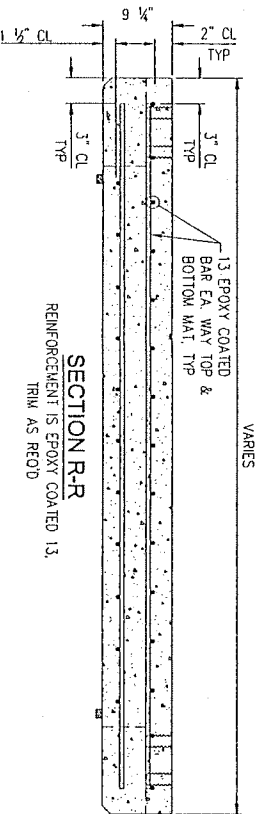
REINFORCEMENT SCHEDULE			
BAR MARK	QTY	LENGTH	
13	47	11 1/2'	
13	12	11 1/2'	

TRIM AS REQD



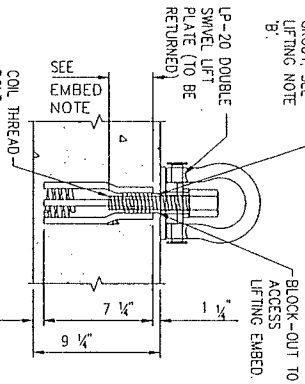
REINFORCEMENT SCHEDULE			
BAR MARK	QTY	LENGTH	
13	47	11 1/2'	
13	12	11 1/2'	

TRIM AS REQD



EMBED NOTE:
 1" DIA COIL BOLT ONLY REQUIRES 2 1/2" MIN COIL PENETRATION. FORT MILLER TO SUPPLY 3" MIN COIL PENETRATION.

CONTRACTOR TO
 FILL LIFTING HOLES WITH NON-SHRINK GROUT. SEE LIFTING NOTE 'B'.
 BLOCK-OUT TO ACCESS LIFTING EMBED.
 LP-20 DOUBLE SWIVEL LIFT PLATE (TO BE RETURNED)
 SEE EMBED NOTE
 COIL THREAD BOLT
 SECTION H-H
 LIFTING INSERT DETAIL 'B'
 1" DIA x 7 1/2" L MEADOW BURKE CX-51 GALV OPEN COIL INSERT



LIFTING NOTE 'B':
 BEFORE PATCHING CONTRACTOR TO CLEAN LIFTING HOLE OF ALL DEBRIS & ACCUMULATED WATER. LIFTING HOLE SHALL BE FILLED IN SUCH A MANNER AS NOT TO ALLOW AIR TO BECOME TRAPPED UNDER THE GROUT MATERIAL.

BAR MARK 13 - LEGEND
 E - DENOTES EPOXY COATED REINFORCEMENT.
 FIRST TWO NUMERICAL DIGITS INDICATE BAR SIZE.

PRECAST CONCRETE PAVEMENT PANEL DETAILS

ALL REINFORCEMENT BARS SHALL BE EPOXY COATED STEEL