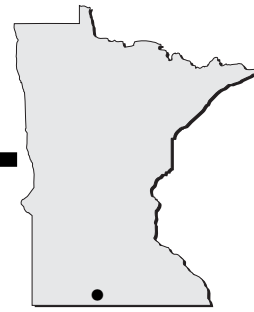


**Fairmont - FRM**  
**www.fivelakesaviation.com**

---

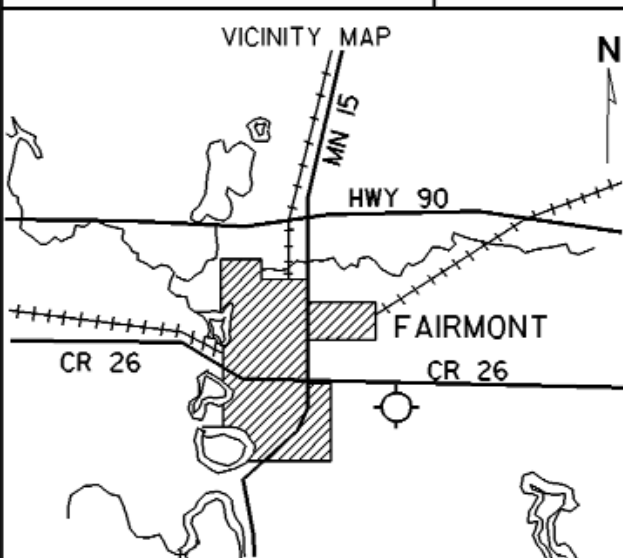


- Airport Manager:** Al Pelzer - 507-235-2537 - [al@fivelakesaviation.com](mailto:al@fivelakesaviation.com)
- Contact Person:** Al Pelzer - 507-235-2537 - [al@fivelakesaviation.com](mailto:al@fivelakesaviation.com)
- Chamber of Com:** 507-235-5547 - [www.fairmont.org](http://www.fairmont.org)
- Aero Cht Coord:** 13-G
- AWOS/ASOS:** 507-238-1562 - VOR 110.2
- MnWAS Loc/Hrs:** Arrival/Departure Building - 24 hours
- Attended:** All/Mon-Sat/0800-1700, All/Sun/1230-1600
- Fuel:** 100LL, Jet A
- Self Service Fuel:** Visa, Mastercard
- After Hrs Service:** 507-238-9216
- FBO(s):** Five Lakes Aviation, Inc. - 507-235-2537 - 122.8 - [al@fivelakesaviation.com](mailto:al@fivelakesaviation.com) - [www.fivelakesaviation.com](http://www.fivelakesaviation.com)
- Ground Transport:** Taxi - 507-235-5558 or 507-235-5559  
Car rentals - 507-238-4686  
Courtesy car
- Food Service:** Vending machines
- Dining:** Kentucky Fried Chicken - 507-238-4116 - 1 mile  
Ranch - 507-235-3044 - 2 miles  
Perkins - 507-238-4500 - 2 miles  
Torge's - 507-238-4771 - 2 miles  
Channel Inn - 507-238-9700 - 2 miles  
Sirloin House - 507-235-3856
- Lodging:** Comfort Inn - 507-238-5444 - 3 miles  
Holiday Inn - 507-238-4771 - 3 miles  
Budget Inn - 507-235-3373 - 2½ miles  
Super 8 Motel - 507-238-9444 - 3 miles  
Hall Lake Cabins - 507-235-9785  
Highland Court Motel - 507-235-6686
- Airport Events:** Lion's Sponsored Fly-In Breakfast - fourth Sunday in June
- Underwing Camp:** Yes
- Campgrounds:** Dawson's - 507-235-5753 - 12 miles  
Flying Goose - 507-235-3458 - 2 miles
- Golf Courses:** Rose Lake - 507-235-5274  
Interlaken - 507-235-5143
- Local Attractions:** Five lakes in town; golf courses; opera house; Historical Society Museum; Heritage Acres; Agriculture; Interpretive Center; Aquatic Park; beaches; fishing
- Comments:** Overnight hangar space available for most aircraft  
Wireless Internet service

FIELD ELEV. 1162'

(FRM)

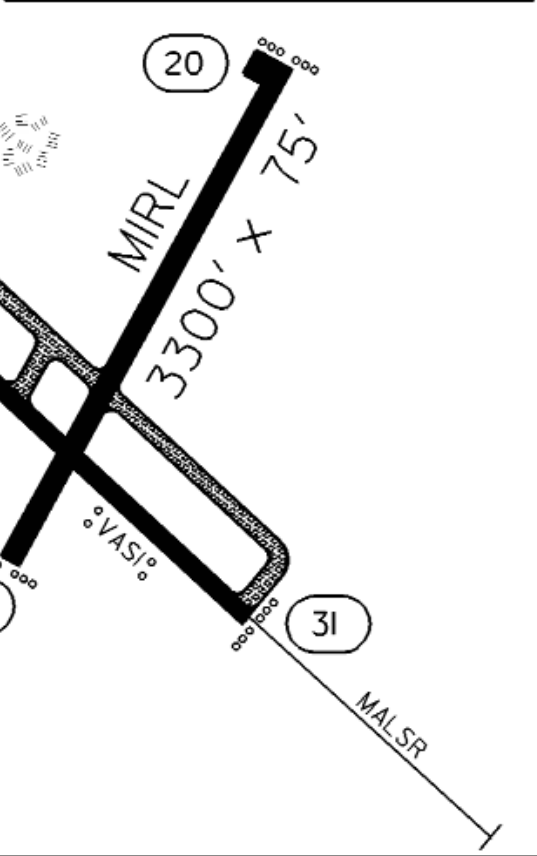
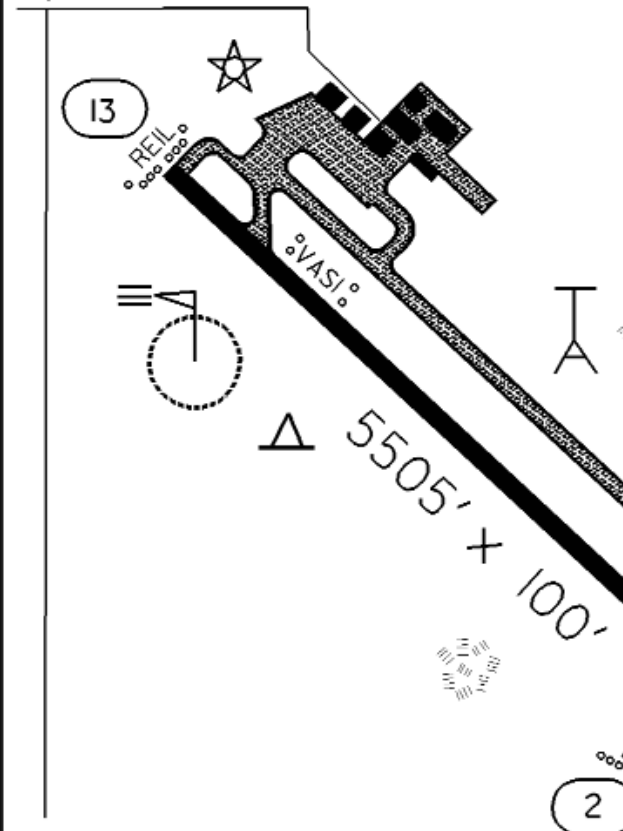
FAIRMONT



SEC. CH: OMAHA NORTH  
 LAT: 43° 38.6'  
 LONG: 94° 24.9'  
 COMM: CTAF: 122.8(L)  
 AWOS: 110.2 VOR  
 RCO FSS: 123.6R 110.2T  
 MPLS CTR: 127.75  
 RNAV: (FRM 110.2) ON AIRPORT  
 TPA: 2000' (838')  
 APPROACH: ILS, GPS, VOR/DME & VOR

VARIATION 4° E  
 DAYLIGHT: TO GET LOW, CLICK '5' OR '7' FIRST, THEN '3'

RUNWAY 13 - 31			
	CLICKS ON 122.8		
	3	5	7
LIGHTS	OFF	MED	HIGH
VASI	ON	ON	ON
TAXI	MED	MED	HIGH
REIL (13)	ON	ON	ON
MALSR (31)	LOW	MED	HIGH



RUNWAY 2 - 20			
	CLICKS ON 122.8		
	3	5	7
LIGHTS	OFF	MED	HIGH

FAIRMONT MUNICIPAL AIRPORT

FAIRMONT