

## Crookston - CKN

---



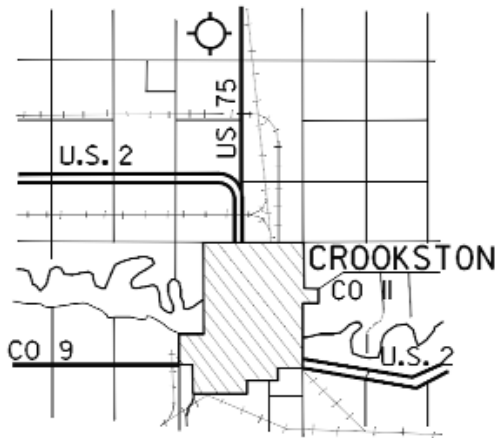
- Airport Manager:** Lowell Miller - 218-281-2625 - [cknairport@rrv.net](mailto:cknairport@rrv.net)
- Contact Person:** Lowell Miller - 218-281-2625 - [cknairport@rrv.net](mailto:cknairport@rrv.net)
- AWOS/ASOS:** 218-281-3018 - NDB 400
- MnWAS Loc/Hrs:** Crookston Aviation - 24 hours
- Attended:** All/All/Daylight
- Fuel:** 100LL, Jet A - available 24 hours with credit card
- After Hrs Service:** 218-281-2625
- FBO(s):** Crookston Aviation - 218-281-2625 - 122.7 - [cknairport@rrv.net](mailto:cknairport@rrv.net)
- Businesses:** Dan's Flying Service, Inc. - 218-281-1372 - [geist@rrv.net](mailto:geist@rrv.net)  
Gasper Air Spray, Inc. - 218-281-5787 - [clgasper@hotmail.com](mailto:clgasper@hotmail.com)
- Ground Transport:** Courtesy car  
Rentals at Salem Motor - 218-281-1338
- Food Service:** Vending machines
- Dining:** Northland Inn - 218-281-5210 - 3 miles
- Lodging:** Northland Inn - 218-281-5210 - 3 miles  
AmericInn - 218-281-7800 - 3 miles
- Airport Events:** Pancake Breakfast - May
- Underwing Camp:** Yes
- Campgrounds:** Municipal campground  
Maple Lake County Park
- Local Attractions:** Minakwa Golf Course; Climax Golf Course  
Oxcart Days; Maple Lake
- Comments:** Additional after hours service phone - 218-693-1095

FIELD ELEV. 899'

(CKN)

CROOKSTON

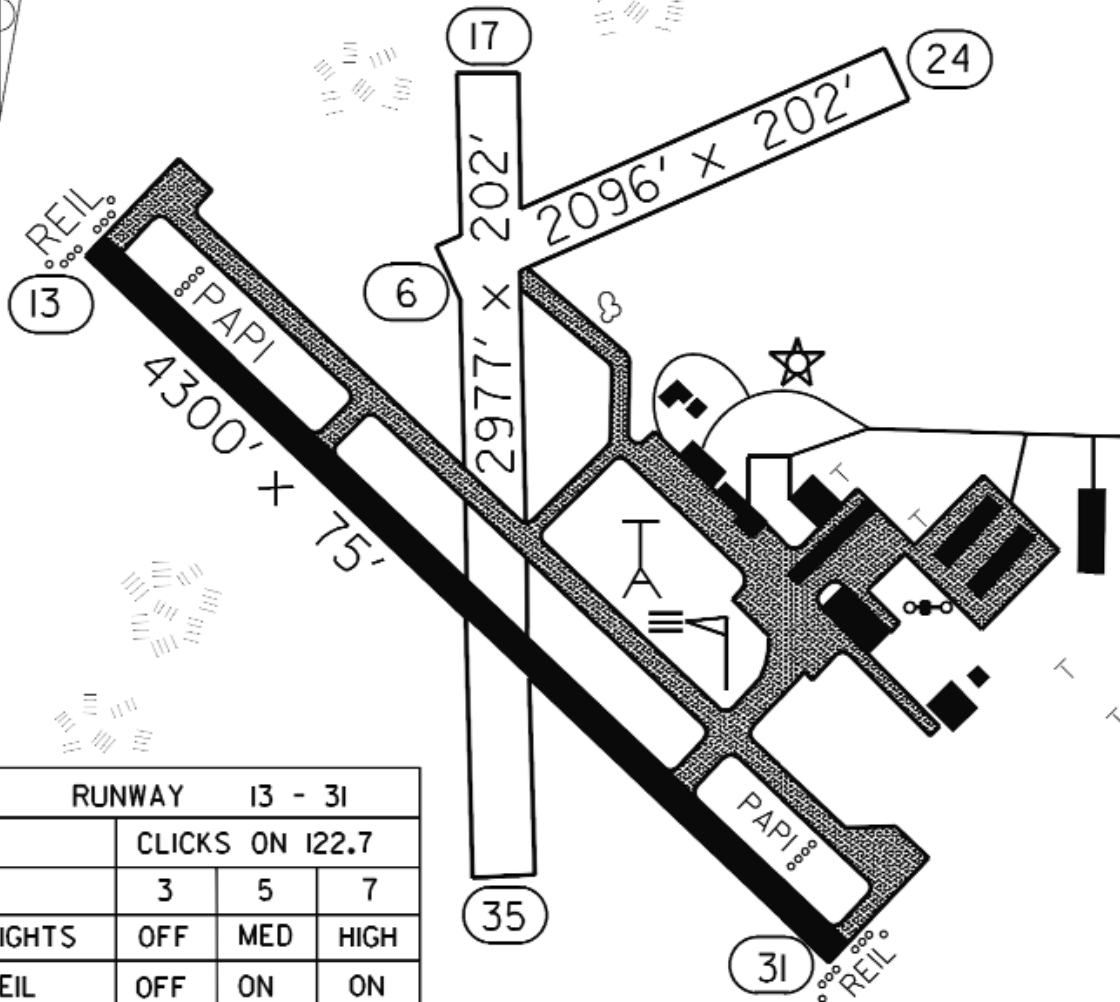
VICINITY MAP



SEC. CH: TWIN CITIES (N)  
 LAT: 47° 50.5'  
 LONG: 96° 37.3'  
 COMM: CTAF: 122.7 (L)  
 AWOS: 400 NDB  
 GRAND FORKS APP: 118.1  
 GF CLNC DEL: 118.15  
 NDB: (CKN) 400  
 TPA: 1699' (800')  
 APPROACH: GPS, NDB,  
 RNAV, VOR

N  
 VARIATION  
 5° E

RUNWAYS 17/35 & 6/24  
 CLOSED WINTER MONTHS



RUNWAY		13 - 31		
		CLICKS ON 122.7		
		3	5	7
LIGHTS		OFF	MED	HIGH
REIL		OFF	ON	ON
PAPI (13)		ON	ON	ON

DAYTIME LOW IS LOCKED OUT  
 TO GET \*LOW\* CLICK \*7\* FIRST  
 THEN \*3\*

CROOKSTON MUNICIPAL AIRPORT  
 (KIRKWOOD FIELD)

CROOKSTON