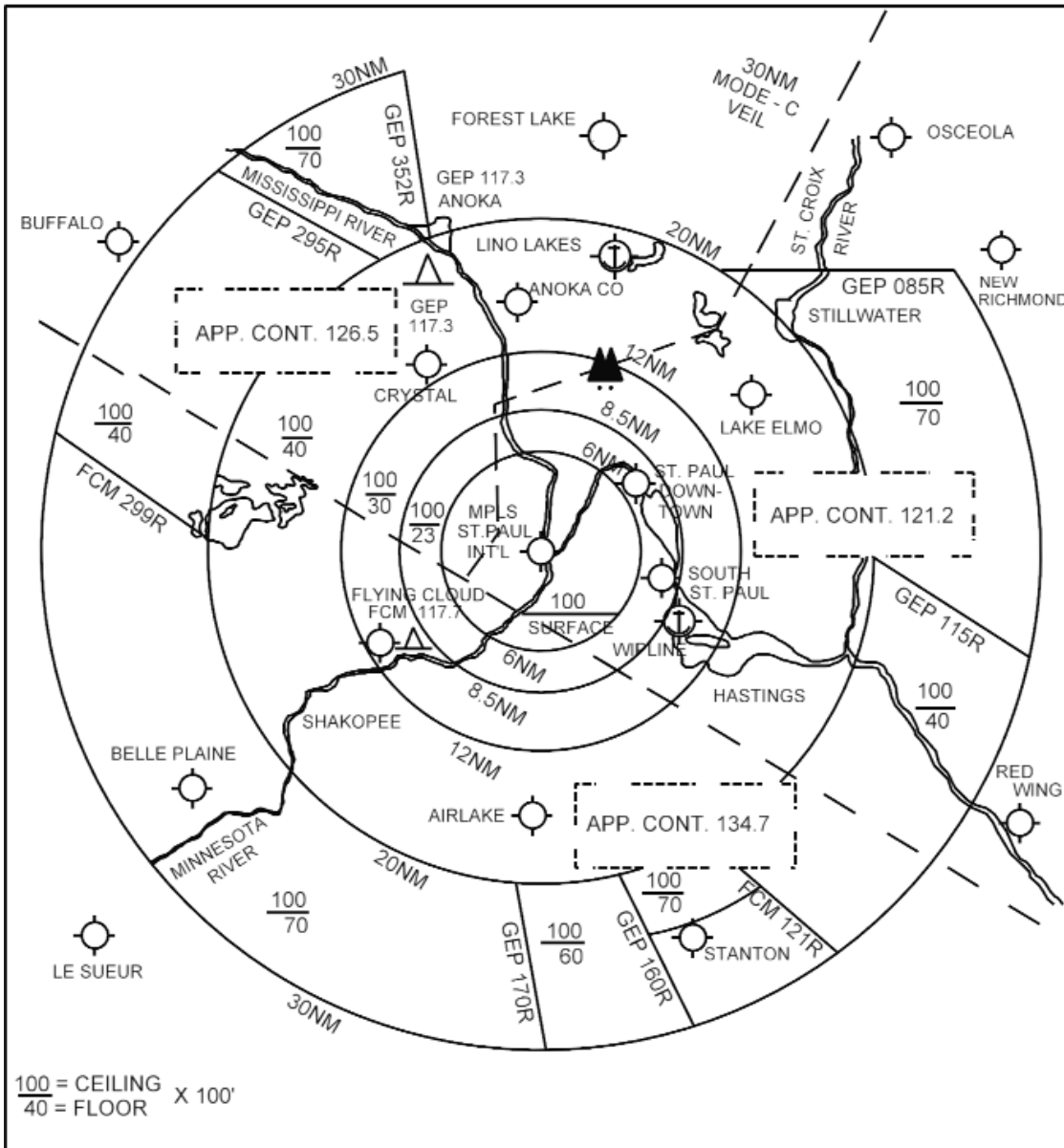
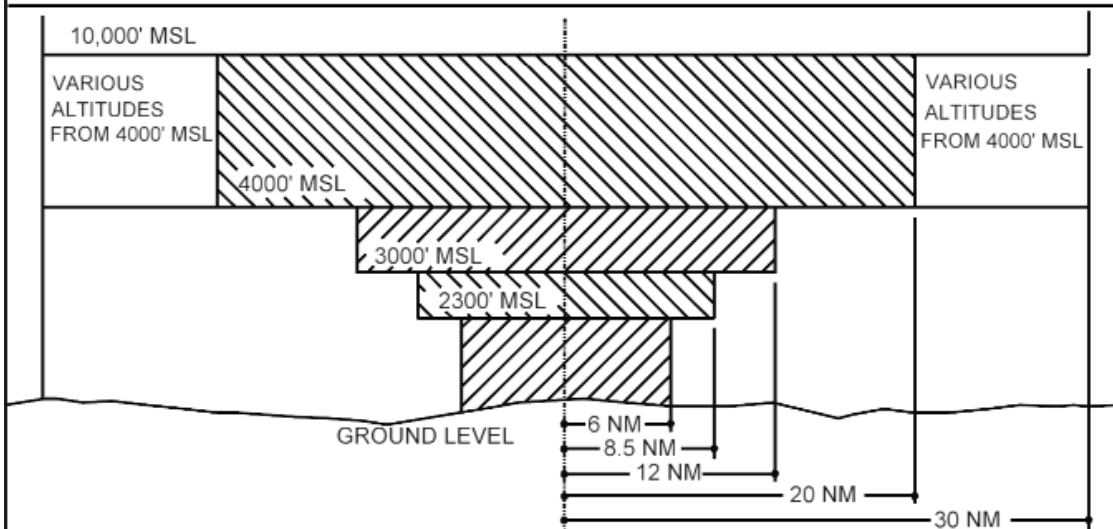


# MINNEAPOLIS CLASS "B" AIRSPACE



100 = CEILING  
40 = FLOOR X 100'



The requirements of FAR 91.131 must be met before requesting Class "B" clearance. Clearance into MSP Class "B" must be received prior to entering. Flight within the 30 MI "veil" requires operating Mode - C Transponder or a waiver from ATC.